

High impact tank cleaning machine

IntenseClean

Series 5TM



Features:

- Very robust design
- High efficiency thanks to especially powerful solid jet nozzles
- High efficiency due to gear-controlled rotation
- Proven in the petrochemical industry



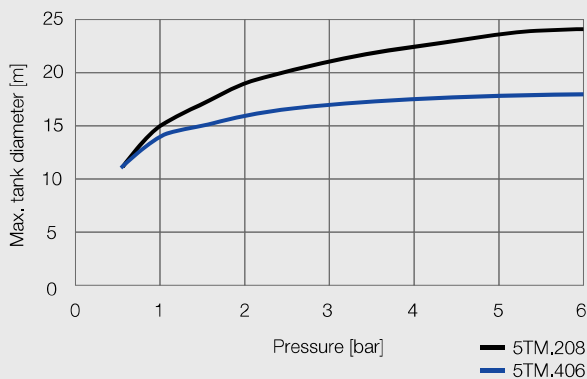
Function video
www.lechler.com/de-en/medialibrary/videos-general-industry
 Or scan the QR code.

Series 5TM

Technical data:

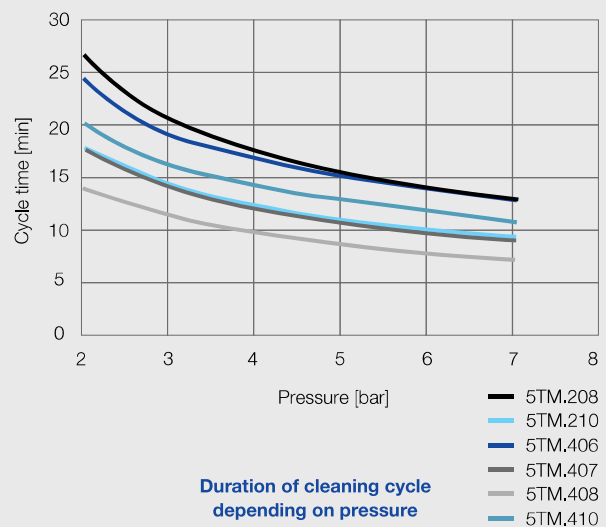
Maximum operating temperature 95 °C 95 °C (ATEX)	Maximum ambient temperature 140 °C 120 °C (ATEX)	Installation Operation in every installation position	Bearing Ball bearing
Material Stainless steel 1.4404 (316L), stainless steel 1.4301 (304), stainless steel 1.4310 (302), PTFE, PEEK	Weight 7.40–7.88 kg	Surface quality Ra ≤ 0.8 µm <small>OUTSIDE</small>	Surface quality Ra ≤ 4.5 µm <small>INSIDE</small>
Steam suitability Not suitable	Insertion diameter 160–230 mm	Recommended filter Line strainer with a mesh size of 0.2 mm/80 mesh	Recommended operating pressure 5 bar
Rotation monitoring Sensor-compatible, information: see pages 100–101	Maintainable		

Max. tank diameter
 The specified maximum tank diameter applies to the recommended operating pressure and is indicative only. The type of soiling is also decisive for the cleaning result.



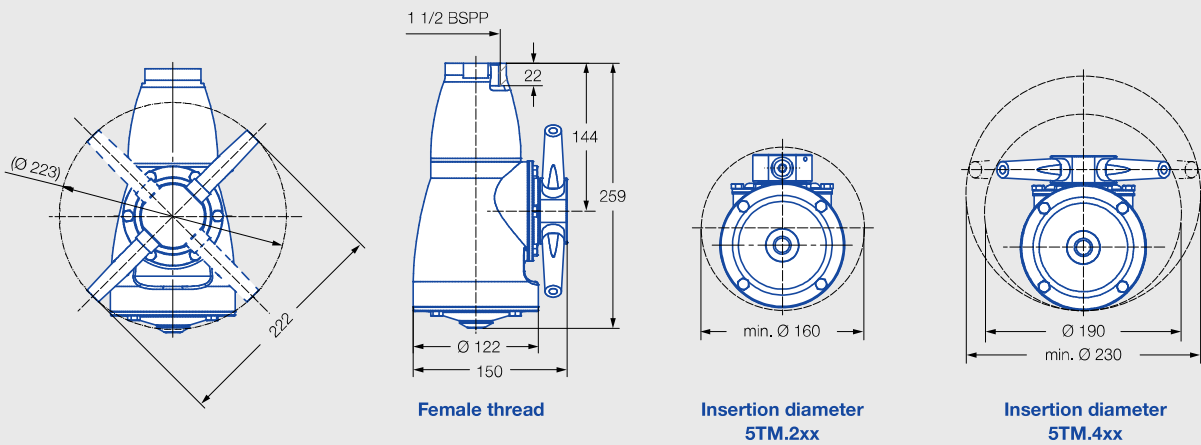
Overview of maximum tank diameter depending on pressure

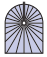
Duration of cleaning cycle



Duration of cleaning cycle depending on pressure

Dimensions in mm.



Spray angle	Ordering no. Type	Narrowest cross-section Ø [mm]	Quantity x Ø nozzle [mm]	V̇ water [l/min]				V̇ water at 5 bar [m³/h]	Max. tank diameter [m]
				p [bar] (p _{max} = 7 bar)					
				2.0	3.0	5.0	7.0		
360° 	5TM.208.1Y.AS	8.0	2 x 8.0	125	153	198	234	11.9	24.0
	5TM.210.1Y.AS	10.0	2 x 10.0	160	196	253	299	15.2	24.0
	5TM.406.1Y.AS	6.0	4 x 6.0	140	171	221	261	13.3	18.0
	5TM.407.1Y.AS	7.0	4 x 7.0	170	208	269	318	16.1	20.0
	5TM.408.1Y.AS	8.0	4 x 8.0	200	245	316	374	19.0	22.0
	5TM.410.1Y.AS	10.0	4 x 10.0	260	318	411	486	24.7	23.0

NPT threads on request.

Information on operation

Compressed air can be used only for a short time for blowing dry. Use above the recommended pressure will have a negative effect on the cleaning result and wear.

Ordering example with FDA and (EC) 1935/2004 conformity.



All materials are suitable for contact with food.



Type + Connection = Ordering no.
5TM.208.1Y + AS = 5TM.208.1Y.AS

Ordering example with ATEX approval. FDA and (EC) 1935/2004 conformity.



Unit group/Category/Zones:

⊕ II 1G Ex h IIB T6...T3 Ga

⊕ II 1D Ex h IIIC T85 °C...T150 °C Da



Type + ATEX = Ordering no.
5TM.208.1Y.AS + EX = 5TM.208.1Y.AS.EX